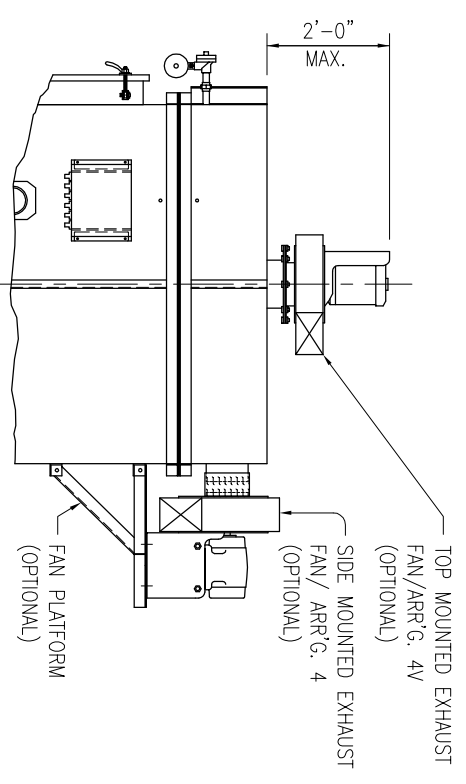
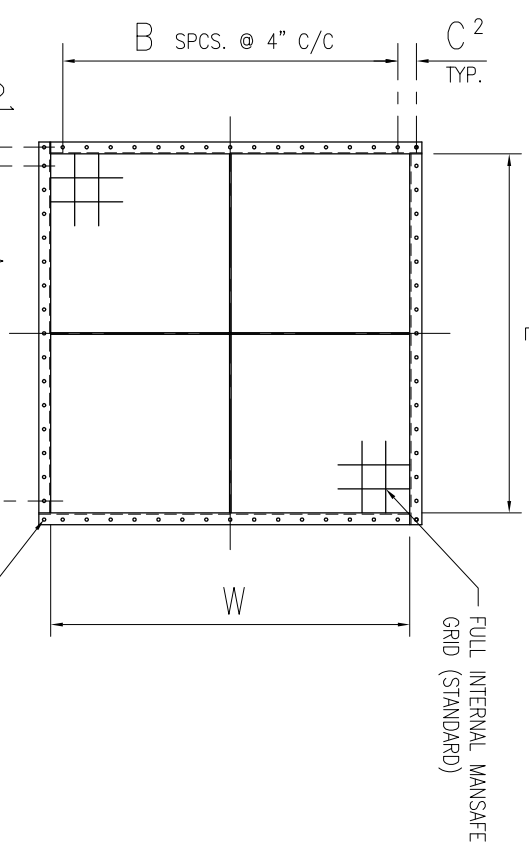
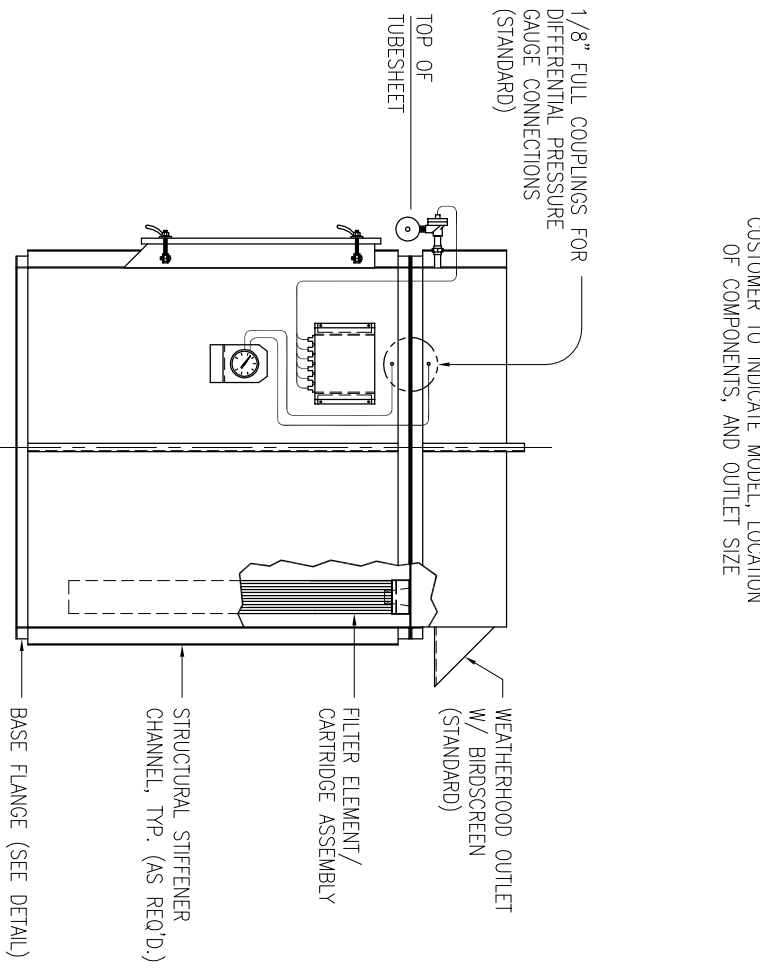


COMPONENT ORIENTATION & OPTIONS



MODEL	FILTER AREA (SQ.FT.)	L	W	DH	CH	OH	NO. OF VALVES (SCHD.)	COMP. AIR REQ'D. (SCFM)	A	B	C ¹	C ²	EST. WT. (LBS.)
36-CBF-009	214	2'-6"	2'-6"	4'-0"	1'-3"	5'-3"	3	8	6	6	4 1/8"	4 1/8"	615
54-CBF-009	321	2'-6"	2'-6"	5'-6"	1'-3"	6'-9"	3	8	6	6	4 1/8"	4 1/8"	695
36-CBF-012	285	2'-6"	3'-4"	4'-0"	1'-3"	5'-3"	3	8	6	9	4 1/8"	3 1/8"	720
54-CBF-012	428	2'-6"	3'-4"	5'-6"	1'-3"	6'-9"	3	8	6	9	4 1/8"	3 1/8"	800
36-CBF-016	380	3'-4"	3'-4"	4'-0"	1'-6"	5'-6"	4	8	9	9	3 1/8"	3 1/8"	980
54-CBF-016	570	3'-4"	3'-4"	5'-6"	1'-6"	7'-0"	4	8	9	9	3 1/8"	3 1/8"	1,100
36-CBF-020	475	3'-4"	4'-2"	4'-0"	1'-6"	5'-6"	4	8	9	11	3 1/8"	4 1/8"	1,070
54-CBF-020	713	3'-4"	4'-2"	5'-6"	1'-6"	7'-0"	4	8	9	11	3 1/8"	4 1/8"	1,200
36-CBF-025	594	4'-2"	4'-2"	4'-0"	1'-6"	5'-6"	5	8	11	11	4 1/8"	4 1/8"	1,310
54-CBF-025	891	4'-2"	4'-2"	5'-6"	1'-6"	7'-0"	5	8	11	11	4 1/8"	4 1/8"	1,450
36-CBF-030	713	4'-2"	5'-0"	4'-0"	1'-6"	5'-6"	5	8	11	14	4 1/8"	3 1/8"	1,420
54-CBF-030	1,069	4'-2"	5'-0"	5'-6"	1'-6"	7'-0"	5	8	11	14	4 1/8"	3 1/8"	1,560
36-CBF-036	855	5'-0"	5'-0"	4'-0"	1'-9"	5'-9"	6	8	14	14	3 1/8"	3 1/8"	1,960
54-CBF-036	1,283	5'-0"	5'-0"	5'-6"	1'-9"	7'-3"	6	8	14	14	3 1/8"	3 1/8"	2,130
36-CBF-042	998	5'-0"	5'-10"	4'-0"	1'-9"	5'-9"	6	8	14	16	3 1/8"	4 1/8"	2,150
54-CBF-042	1,496	5'-0"	5'-10"	5'-6"	1'-9"	7'-3"	6	8	14	16	3 1/8"	4 1/8"	2,330
36-CBF-049	1,164	5'-10"	5'-10"	4'-0"	1'-9"	5'-9"	7	8	16	16	4 1/8"	4 1/8"	3,150
54-CBF-049	1,746	5'-10"	5'-10"	5'-6"	1'-9"	7'-3"	7	8	16	16	4 1/8"	4 1/8"	3,350
36-CBF-056	1,350	5'-10"	6'-8"	4'-0"	1'-9"	5'-9"	7	8	16	19	4 1/8"	3 1/8"	3,260
54-CBF-056	1,995	5'-10"	6'-8"	5'-6"	1'-9"	7'-3"	7	8	16	19	4 1/8"	3 1/8"	3,500
36-CBF-064	1,520	6'-8"	6'-8"	4'-0"	1'-9"	5'-9"	8	8	19	19	3 1/8"	3 1/8"	3,540
54-CBF-064	2,280	6'-8"	6'-8"	5'-6"	1'-9"	7'-3"	8	8	19	19	3 1/8"	3 1/8"	3,770

1. OUTLET SIZES SHALL BE BASED ON A RECOMMENDED 3,000-4,000 FT./MIN. AIR VELOCITY, UNLESS OTHERWISE SPECIFIED.
2. DESIGN PRESSURE IS ±20" W.G., UNLESS OTHERWISE SPECIFIED.
3. THE COMPRESSED AIR REQUIREMENT IS BASED ON CLEAN, DRY, OIL-FREE AIR @ 60-80 PSIG (BASED ON CARTRIDGE LENGTH), 8 SECOND OFF-TIME, AND 0.15 SECOND ON-TIME. A DEW POINT OF -20° F IS SUFFICIENT.
4. MODELS WITH 25 CARTRIDGES OR LESS HAVE INTERNALLY WELDED TUBESHEETS. MODELS WITH 30 CARTRIDGES OR MORE HAVE EXTERNALLY FLANGED TUBESHEETS.
5. AS STANDARD, EXTERIOR CARBON STEEL SURFACES ARE SOLVENT WIPED PER SSPC-SP1, POWER TOOL CLEANED PER SSPC-SP3, AND COATED WITH A MEDIUM OIL ALKYL PRIMER @ 2 MILS D.F.T. (OTHER PRIMERS & FINISH COATS ARE AVAILABLE).
6. AS STANDARD, SOLENOID VALVES ARE PRE-WIRED TO THE TIMER AND MOUNTED IN A COMMON NEMA 4 ENCLOSURE (OTHER ENCLOSURES ARE AVAILABLE). TIMER & SOLENOIDS ARE RATED FOR 1 PH/60 HZ/120 V.
7. ESTIMATED WEIGHTS ARE BASED ON STANDARD ASSEMBLED UNITS EXCLUDING ANY AUXILIARIES.
8. THIS DRAWING IS TO BE USED FOR LAYOUT AND ENGINEERING PURPOSES ONLY. IT IS NOT TO BE USED FOR CONSTRUCTION, UNLESS STAMPED AS CERTIFIED.

REV	BY	DATE	DESCRIPTION

THIS DOCUMENT IS THE EXCLUSIVE PROPERTY OF CPE FILTERS, INC. AND SHALL NOT BE REPRODUCED OR DISTRIBUTED WITHOUT FIRST OBTAINING THE PERMISSION OF CPE FILTERS, INC. ©COPYRIGHT:

CPE FILTERS, INC.
 5 EARL COURT, SUITE 130
 WOODRIDGE, IL 60517
 P. 630-771-9993
 E. info@cpefilters.com
 Web: www.cpefilters.com

SCALE: _____ INITIATED BY: _____ DRAWN BY: _____
 DATE: _____ APPROVED BY: _____
 TITLE: **CARRIDGE BIN VENT FILTER SERIES PLANOGRAPH**
 DWG. NUMBER: **P-CBF-001** REV. **0**
 CUSTOMER: _____