

MODEL: _____

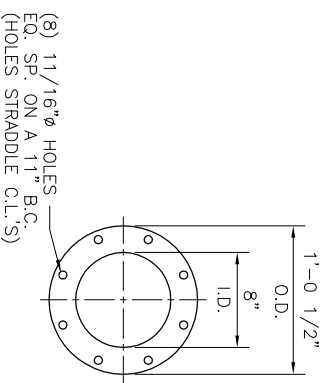
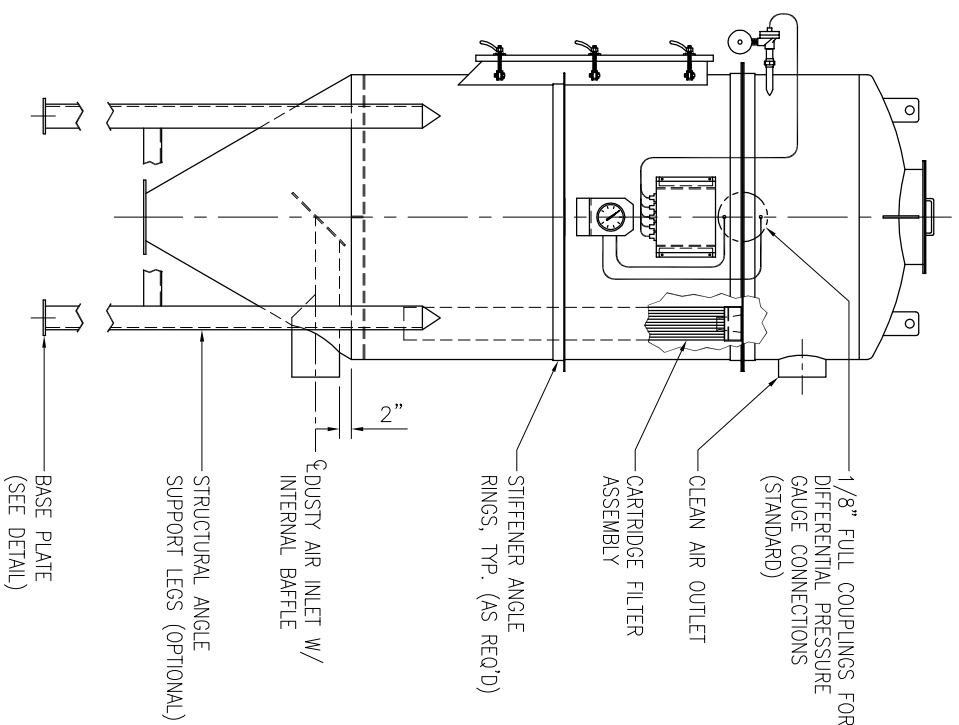
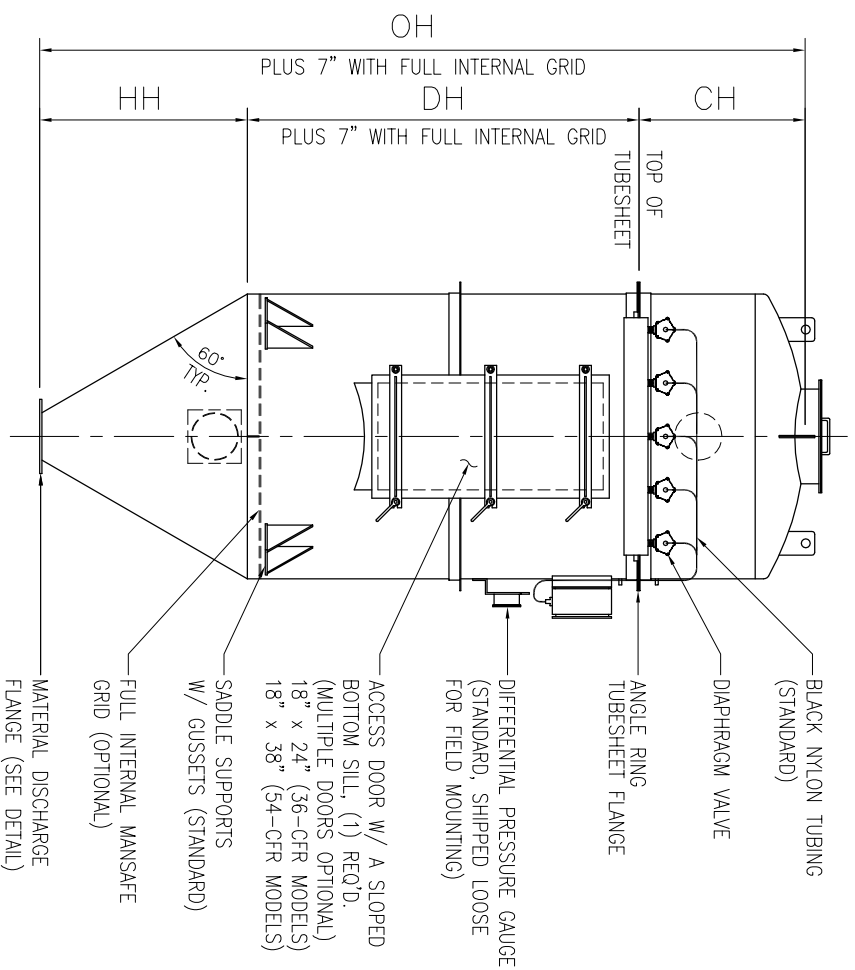
INLET: _____ SIZE: _____
(ANY ANGULAR LOCATION BETWEEN 0° & 360°)

OUTLET: _____ SIZE: _____
(ANY ANGULAR LOCATION C.W. BETWEEN 90° & 270°)

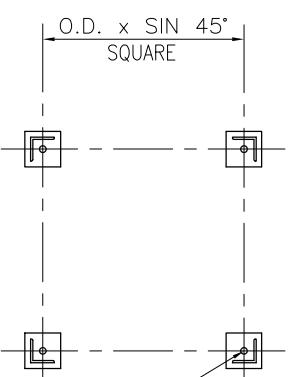
ACCESS DOOR: _____
(0°, 90°, 180° OR 270°)

TIMER/SOLENOID ENCL. & DIFF. PRESSURE COUPLINGS: _____
(0°, 90° OR 270°)

SUPPORT SADDLES OR LEGS: _____
(0°, 90°, 180°, 270°)
OR (45°, 135°, 225°, 315°)



MATERIAL DISCHARGE FLANGE DETAIL
(C.P.E.F. STANDARD, OTHER BOLT PATTERNS DRILLED UPON REQUEST)



BASE PLATE DETAIL

13/16" Ø HOLE, TYP.
(8 TO 20 CARTRIDGE MODELS)
1 1/8" Ø HOLE, TYP.
(26 TO 32 CARTRIDGE MODELS)

BASE PLATE
(SEE DETAIL)

STIFFENER ANGLE RINGS, TYP. (AS REQ'D)

CLEAN AIR OUTLET

CARTRIDGE FILTER ASSEMBLY

1/8" FULL COUPLINGS FOR DIFFERENTIAL PRESSURE GAUGE CONNECTIONS (STANDARD)

DIFFERENTIAL PRESSURE GAUGE (STANDARD, SHIPPED LOOSE FOR FIELD MOUNTING)

DIAPHRAGM VALVE

ANGLE RING TUBESHEET FLANGE

TOP OF TUBESHEET

BLACK NYLON TUBING (STANDARD)

ACCESS DOOR W/ A SLOPED BOTTOM SILL, (1) REQ'D. (MULTIPLE DOORS OPTIONAL) 18" x 24" (36-CFR MODELS) 18" x 38" (54-CFR MODELS)

SADDLE SUPPORTS W/ GUSSETS (STANDARD)

FULL INTERNAL MANSAFE GRID (OPTIONAL)

MATERIAL DISCHARGE FLANGE (SEE DETAIL)

| MODEL | FILTER AREA (SQ.FT.) | O.D. | HH | DH | CH | OH | NO. OF AIR VALVES (REQ'D) | EST. WT. (LBS.) |
|------------|----------------------|-------|--------|-------|--------|--------|---------------------------|-----------------|
| 36-CFR-008 | 190 | 2'-6" | 1'-8" | 4'-0" | 1'-6" | 7'-2" | 3 | 500 |
| 54-CFR-008 | 285 | 2'-6" | 1'-8" | 5'-6" | 1'-6" | 8'-8" | 3 | 605 |
| 36-CFR-011 | 261 | 3'-0" | 2'-1" | 4'-0" | 1'-10" | 7'-11" | 4 | 640 |
| 54-CFR-011 | 392 | 3'-0" | 2'-1" | 5'-6" | 1'-10" | 9'-5" | 4 | 815 |
| 36-CFR-016 | 380 | 3'-6" | 2'-6" | 4'-0" | 2'-2" | 8'-8" | 4 | 830 |
| 54-CFR-016 | 570 | 3'-6" | 2'-6" | 5'-6" | 2'-2" | 10'-2" | 4 | 985 |
| 36-CFR-020 | 475 | 4'-0" | 2'-11" | 4'-0" | 2'-4" | 9'-3" | 5 | 1,200 |
| 54-CFR-020 | 713 | 4'-0" | 2'-11" | 5'-6" | 2'-4" | 10'-9" | 5 | 1,405 |
| 36-CFR-026 | 618 | 4'-6" | 3'-4" | 4'-0" | 2'-6" | 9'-10" | 5 | 1,540 |
| 54-CFR-026 | 926 | 4'-6" | 3'-4" | 5'-6" | 2'-6" | 11'-4" | 5 | 1,710 |
| 36-CFR-032 | 760 | 5'-0" | 3'-10" | 4'-0" | 2'-9" | 10'-7" | 6 | 1,760 |
| 54-CFR-032 | 1,140 | 5'-0" | 3'-10" | 5'-6" | 2'-9" | 12'-1" | 6 | 1,950 |

- OUTLET SIZES SHALL BE BASED ON A RECOMMENDED 3,000-4,000 FT./MIN. AIR VELOCITY, UNLESS OTHERWISE SPECIFIED.
- INLET SIZES SHALL BE BASED ON A RECOMMENDED 4,000-5,000 FT./MIN. VELOCITY, UNLESS OTHERWISE SPECIFIED.
- DESIGN PRESSURE IS ±17" Hg., UNLESS OTHERWISE SPECIFIED.
- THE COMPRESSED AIR REQUIREMENT IS BASED ON CLEAN, DRY, OIL FREE AIR @ 60-80 PSIG (BASED ON FILTER ELEMENT LENGTH), 8 SECOND OFF-TIME, AND 0.15 SECOND ON-TIME. A DEW POINT OF -20° F IS SUFFICIENT.
- AS STANDARD, EXTERIOR CARBON STEEL SURFACES ARE SOLVENT WIPED PER SSPC-SP1, POWER TOOL CLEANED PER SSPC-SP3, AND COATED WITH A MEDIUM OIL ALKALO PRIMER @ 2 MILS D.F.T. (OTHER PRIMERS & FINISH COATS ARE AVAILABLE).
- AS STANDARD, SOLENOID VALVES ARE PRE-WIRED TO THE TIMER AND MOUNTED IN A COMMON NEMA 4 ENCLOSURE (OTHER ENCLOSURES ARE AVAILABLE). TIMER & SOLENOIDS ARE RATED FOR 1 PH/60 HZ/120 V.
- HOPPER HEIGHT DIMENSIONS ARE BASED ON AN 8" DIAMETER MATERIAL DISCHARGE OPENING & 60° SLOPE FROM HORIZONTAL (OTHER SIZES AVAILABLE).
- ESTIMATED WEIGHTS ARE BASED ON STANDARD ASSEMBLED UNITS EXCLUDING ANY AUXILIARIES.
- THIS DRAWING IS TO BE USED FOR LAYOUT AND ENGINEERING PURPOSES ONLY. IT IS NOT TO BE USED FOR CONSTRUCTION, UNLESS STAMPED AS CERTIFIED.

REV | BY | DATE | DESCRIPTION

THIS DOCUMENT IS THE EXCLUSIVE PROPERTY OF CPE FILTERS, INC. AND SHALL NOT BE REPRODUCED OR DISTRIBUTED WITHOUT FIRST OBTAINING THE PERMISSION OF CPE FILTERS, INC. ©COPYRIGHT:

CPE FILTERS, INC.
5 EARL COURT, SUITE 130
WOODRIDGE, IL 60517
P: 630-771-9993
E: info@cpef.com
Web: www.cpef.com

SCALE: _____ INITIATED BY: _____ DRAWN BY: _____
DATE: _____ APPROVED BY: _____

TITLE: **CARRIAGE FILTER RECEIVER SERIES PLANOGRAPH**
DWG. NUMBER: **P-CFR-001** REV: **0**