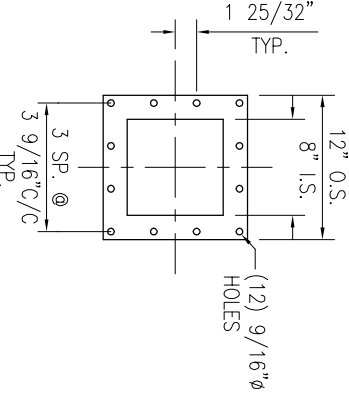
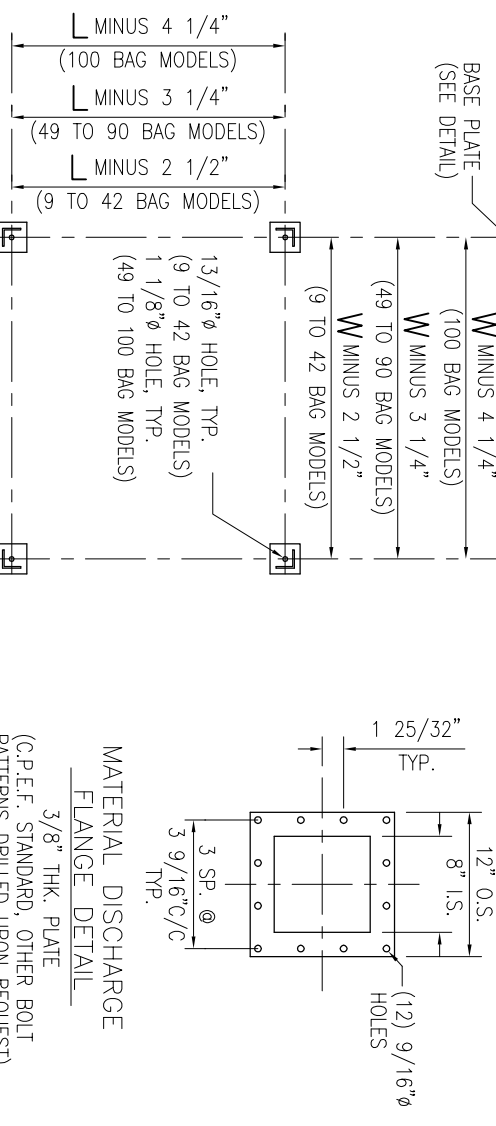
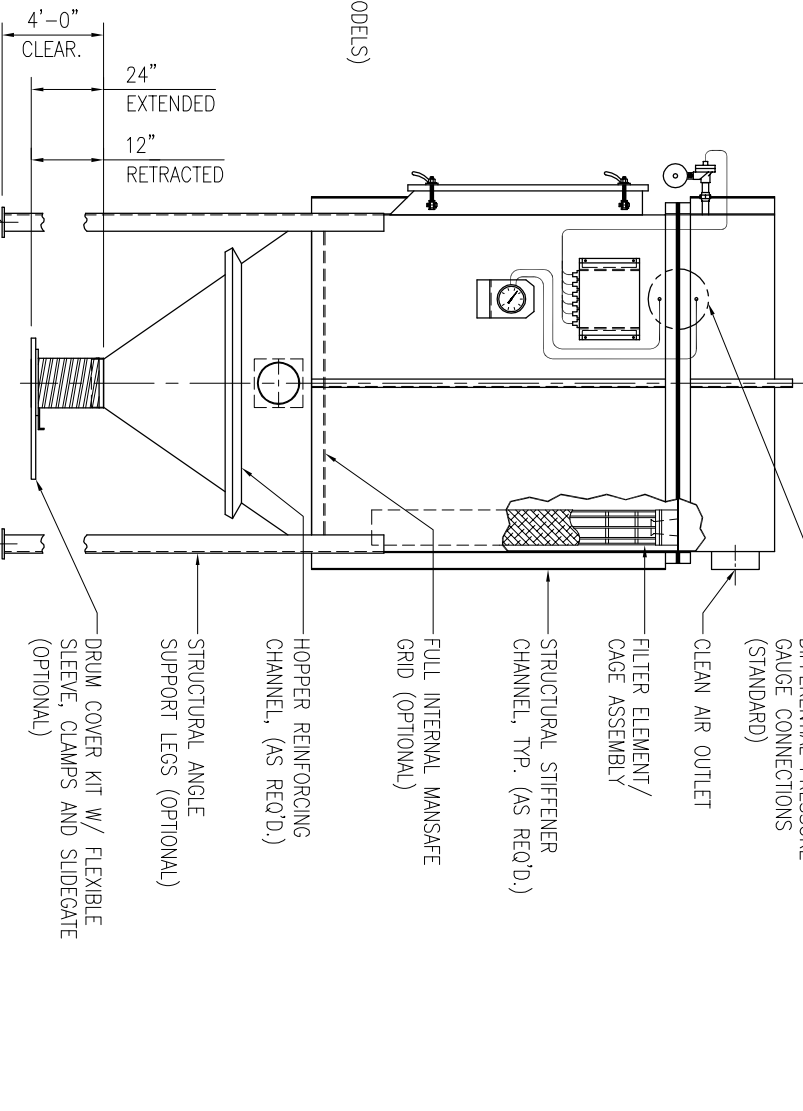
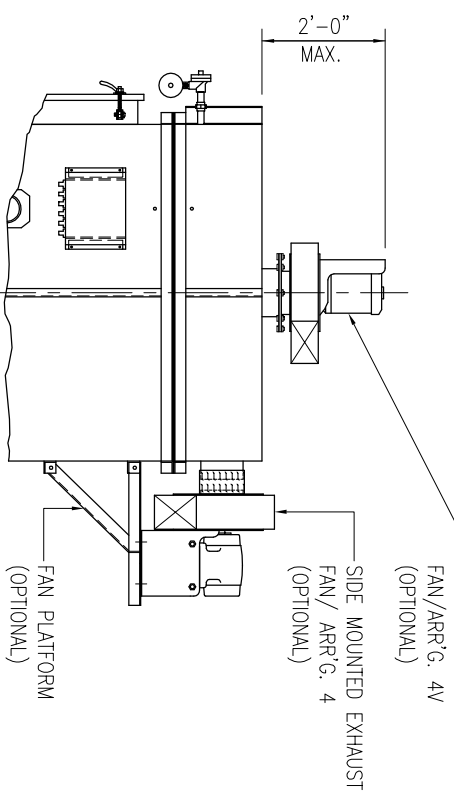
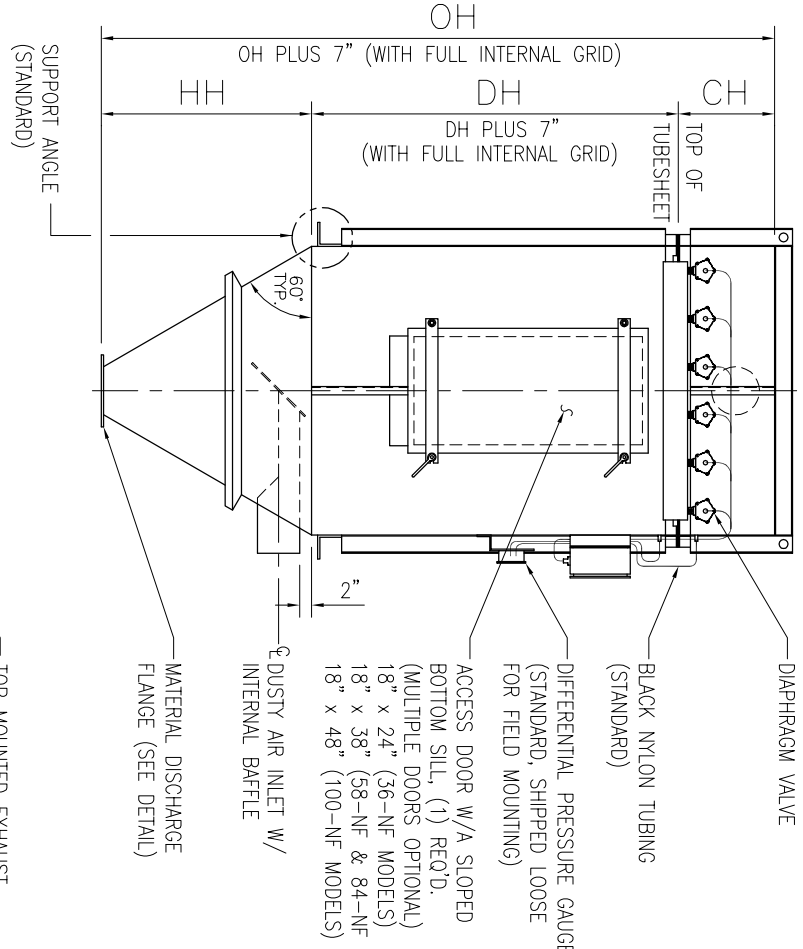


COMPONENT ORIENTATION & OPTIONS  
CUSTOMER TO INDICATE MODEL, LOCATION OF COMPONENTS, AND INLET/OUTLET SIZES



| MODEL      | FILTER AREA (SQ.FT.) | L     | W     | HH     | DH    | CH    | OH      | NO. OF VALVES (SCFM) | EST. WT. (LBS.) |
|------------|----------------------|-------|-------|--------|-------|-------|---------|----------------------|-----------------|
| 36-NF-009  | 41                   | 2'-0" | 2'-0" | 1'-2"  | 3'-3" | 1'-0" | 5'-5"   | 3                    | 400             |
| 58-NF-009  | 68                   | 2'-0" | 2'-0" | 1'-2"  | 5'-1" | 1'-0" | 7'-3"   | 3                    | 500             |
| 84-NF-009  | 97                   | 2'-0" | 2'-0" | 1'-2"  | 7'-3" | 1'-0" | 9'-5"   | 3                    | 600             |
| 36-NF-012  | 55                   | 2'-0" | 2'-8" | 1'-9"  | 3'-3" | 1'-0" | 6'-0"   | 3                    | 500             |
| 58-NF-012  | 90                   | 2'-0" | 2'-8" | 1'-9"  | 5'-1" | 1'-0" | 7'-10"  | 3                    | 600             |
| 84-NF-012  | 130                  | 2'-0" | 2'-8" | 1'-9"  | 7'-3" | 1'-0" | 10'-0"  | 3                    | 700             |
| 36-NF-016  | 74                   | 2'-8" | 2'-8" | 1'-9"  | 3'-3" | 1'-2" | 6'-2"   | 4                    | 600             |
| 58-NF-016  | 120                  | 2'-8" | 2'-8" | 1'-9"  | 5'-1" | 1'-2" | 8'-0"   | 4                    | 700             |
| 84-NF-016  | 173                  | 2'-8" | 2'-8" | 1'-9"  | 7'-3" | 1'-2" | 10'-2"  | 4                    | 800             |
| 36-NF-020  | 92                   | 2'-8" | 3'-4" | 2'-4"  | 3'-3" | 1'-2" | 6'-9"   | 4                    | 750             |
| 58-NF-020  | 150                  | 2'-8" | 3'-4" | 2'-4"  | 5'-1" | 1'-2" | 8'-7"   | 4                    | 900             |
| 84-NF-020  | 216                  | 2'-8" | 3'-4" | 2'-4"  | 7'-3" | 1'-2" | 10'-9"  | 4                    | 1050            |
| 58-NF-025  | 188                  | 3'-4" | 3'-4" | 2'-4"  | 5'-1" | 1'-4" | 8'-9"   | 5                    | 1150            |
| 84-NF-025  | 270                  | 3'-4" | 3'-4" | 2'-4"  | 7'-3" | 1'-4" | 10'-11" | 5                    | 1400            |
| 58-NF-030  | 225                  | 3'-4" | 4'-0" | 2'-11" | 5'-1" | 1'-4" | 9'-4"   | 5                    | 1450            |
| 84-NF-030  | 324                  | 3'-4" | 4'-0" | 2'-11" | 7'-3" | 1'-4" | 11'-6"  | 5                    | 1700            |
| 58-NF-036  | 270                  | 4'-0" | 4'-0" | 2'-11" | 5'-1" | 1'-4" | 9'-4"   | 6                    | 1650            |
| 84-NF-036  | 389                  | 4'-0" | 4'-0" | 2'-11" | 7'-3" | 1'-4" | 11'-6"  | 6                    | 1950            |
| 58-NF-042  | 315                  | 4'-0" | 4'-8" | 3'-6"  | 5'-1" | 1'-4" | 9'-11"  | 6                    | 1750            |
| 84-NF-042  | 454                  | 4'-0" | 4'-8" | 3'-6"  | 7'-3" | 1'-4" | 12'-1"  | 6                    | 2100            |
| 58-NF-049  | 368                  | 4'-8" | 4'-8" | 3'-6"  | 5'-1" | 1'-4" | 9'-11"  | 7                    | 1950            |
| 84-NF-049  | 529                  | 4'-8" | 4'-8" | 3'-6"  | 7'-3" | 1'-4" | 12'-1"  | 7                    | 2300            |
| 58-NF-056  | 420                  | 4'-8" | 5'-4" | 4'-1"  | 5'-1" | 1'-4" | 10'-6"  | 7                    | 2100            |
| 84-NF-056  | 605                  | 4'-8" | 5'-4" | 4'-1"  | 7'-3" | 1'-4" | 12'-8"  | 7                    | 2500            |
| 58-NF-064  | 480                  | 5'-4" | 5'-4" | 4'-1"  | 5'-1" | 1'-4" | 10'-6"  | 8                    | 2300            |
| 84-NF-064  | 691                  | 5'-4" | 5'-4" | 4'-1"  | 7'-3" | 1'-4" | 12'-8"  | 8                    | 2750            |
| 58-NF-072  | 540                  | 5'-4" | 6'-0" | 4'-8"  | 5'-1" | 1'-4" | 11'-1"  | 8                    | 2850            |
| 84-NF-072  | 778                  | 5'-4" | 6'-0" | 4'-8"  | 7'-3" | 1'-4" | 13'-3"  | 8                    | 3300            |
| 84-NF-081  | 875                  | 6'-0" | 6'-0" | 4'-8"  | 7'-3" | 1'-6" | 13'-5"  | 9                    | 3750            |
| 100-NF-081 | 1037                 | 6'-0" | 6'-0" | 4'-8"  | 8'-7" | 1'-6" | 14'-9"  | 9                    | 3850            |
| 84-NF-090  | 972                  | 6'-0" | 6'-8" | 5'-3"  | 7'-3" | 1'-6" | 14'-0"  | 9                    | 3950            |
| 100-NF-090 | 1152                 | 6'-0" | 6'-8" | 5'-3"  | 8'-7" | 1'-6" | 15'-4"  | 9                    | 4200            |
| 84-NF-100  | 1080                 | 6'-8" | 6'-8" | 5'-3"  | 7'-3" | 1'-6" | 14'-0"  | 10                   | 4300            |
| 100-NF-100 | 1280                 | 6'-8" | 6'-8" | 5'-3"  | 8'-7" | 1'-6" | 15'-4"  | 10                   | 4500            |

- OUTLET SIZES SHALL BE BASED ON A RECOMMENDED 3,000-4,000 FT./MIN. AIR VELOCITY, UNLESS OTHERWISE SPECIFIED.
- INLET SIZES SHALL BE BASED ON A RECOMMENDED 3,500-4,500 FT./MIN. VELOCITY, UNLESS OTHERWISE SPECIFIED.
- DESIGN PRESSURE IS ±20" W.G., UNLESS OTHERWISE SPECIFIED.
- THE COMPRESSED AIR REQUIREMENT IS BASED ON CLEAN, DRY, OIL FREE AIR @ 70-100 PSIG (BASED ON BAG LENGTH), 8 SECOND OFF-TIME, AND 0.15 SECOND ON-TIME. A DEW POINT OF -20° F IS SUFFICIENT.
- MODELS WITH 36 BAGS OR LESS HAVE INTERNALLY WELDED TUBESHEETS. MODELS WITH 42 BAGS OR MORE HAVE EXTERNALLY FLANGED TUBESHEETS.
- AS STANDARD, EXTERIOR CARBON STEEL SURFACES ARE SOLVENT WIPED PER SSPC-SP1, POWER TOOL CLEANED PER SSPC-SP3, AND COATED WITH A MEDIUM OIL ALKID PRIMER @ 2 MILS D.F.T. (OTHER PRIMERS & FINISH COATS ARE AVAILABLE).
- AS STANDARD, SOLENOID VALVES ARE PRE-WIRED TO THE TIMER AND MOUNTED IN A COMMON NEMA 4 ENCLOSURE (OTHER ENCLOSURES ARE AVAILABLE). TIMER & SOLENOIDS ARE RATED FOR 1 Ph/60 Hz/120 V.
- HOPPER HEIGHT DIMENSIONS ARE BASED ON A 8" SQUARE MATERIAL DISCHARGE OPENING & 60° SLOPE FROM HORIZONTAL (OTHER SIZES AVAILABLE).
- ESTIMATED WEIGHTS ARE BASED ON STANDARD ASSEMBLED UNITS EXCLUDING ANY AUXILIARIES.
- THIS DRAWING IS TO BE USED FOR LAYOUT AND ENGINEERING PURPOSES ONLY. IT IS NOT TO BE USED FOR CONSTRUCTION, UNLESS STAMPED AS CERTIFIED.

| REV | BY | DATE | DESCRIPTION |
|-----|----|------|-------------|
|     |    |      |             |

THIS DOCUMENT IS THE EXCLUSIVE PROPERTY OF CPE FILTERS, INC. AND SHALL NOT BE REPRODUCED OR DISTRIBUTED WITHOUT FIRST OBTAINING THE PERMISSION OF CPE FILTERS, INC. © COPYRIGHT:

**CPE FILTERS, INC.**  
5 EARL COURT, SUITE 130  
WOODBRIDGE, IL 60517  
P: 630-771-9993  
E: info@cpef.com  
Web: www.cpef.com

**NUISANCE FILTER SERIES PLANOGRAPH**

SCALE: \_\_\_\_\_ INITIATED BY: \_\_\_\_\_ DRAWN BY: \_\_\_\_\_  
DATE: \_\_\_\_\_ APPROVED BY: \_\_\_\_\_

CUSTOMER: \_\_\_\_\_ DWG. NUMBER: **P-NF-001** REV. **0**